
BuzziTripl Wrap Desk Product Specification Sheet

This document contains technical information about the BuzziTripl Wrap Desk



www.buzzi.space



A nesting desk partition for better focus

Convert any regular desk into a more private workstation, away from distractions.


This versatile desk divider made of three layers of felt will do the trick by adding visual privacy as it wraps around your desk. It will help you focus better while concealing the cable cord clutter, which typically hangs off the rear of a desk. Take your pick from several vibrant colors, forms and sizes to create your private cocoon.


Design by BuzziSpace Studio


General


 BuzziTripl Wrap Desk Full, Right, Left

 Outside layers: BuzziFelt 6mm | 0.24" (both sides)
Core: Furniture Felt 6mm | 0.24"

 Length: Front 50 cm ≤ 200 cm | 19.69" ≤ 78.74"
Width: Side 22 cm ≤ 47 cm | 8.66" ≤ 18.50" (measured from worktop edge)
Height: 52,5 cm ≤ 62,5 cm | 20.67" ≤ 24.61"
Thickness: 1,45 cm | 0.57"

 Dry use

 Flat Packed
Desk mounted

 2 shapes: round corners or wedge

Acoustics



Absorption



Attenuation



Mid tone



High tone

Certifications

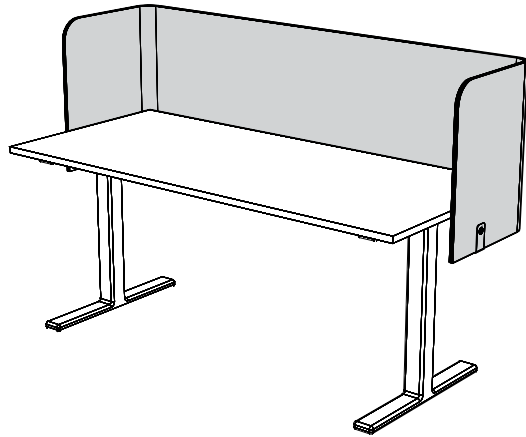


Content

Configurations	3
Shapes	4
BuzziTripl Wrap Desk Fix	5
Fabrics	5
Dimensions	6

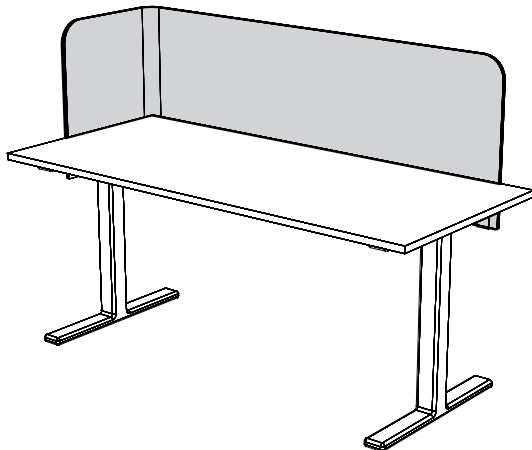
Configurations

BuzziTripl Wrap Desk Full



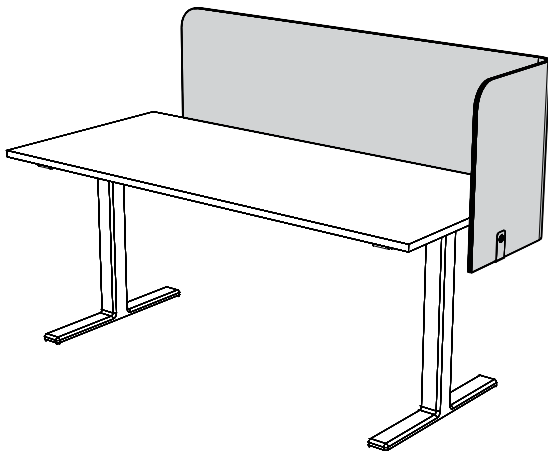
- 🌲 Outside layers: BuzziFelt 6mm | 0.24" (both sides)
Core: Furniture Felt 6mm | 0.24"
- ✂ Length: Front 50 cm ≤ 200 cm | 19.69" ≤ 78.74"
Width: Side 22 cm ≤ 47 cm | 8.66" ≤ 18.50"
(measured from worktop edge)
- ✂ Height: 52,5 cm ≤ 62,5 cm | 20.67" ≤ 24.61"
Thickness: 1,45 cm | 0.57"
- ⚖ Weight panel: 3,75 kg/m² | 2.52 lbs/ft²
- ⋯ 2 shapes: round corners or wedge

BuzziTripl Wrap Desk Left



- 🌲 Outside layers: BuzziFelt 6mm | 0.24" (both sides)
Core: Furniture Felt 6mm | 0.24"
- ✂ Length: Front 50 cm ≤ 200 cm | 19.69" ≤ 78.74"
Width: Side 22 cm ≤ 47 cm | 8.66" ≤ 18.50"
(measured from worktop edge)
- ✂ Height: 52,5 cm ≤ 62,5 cm | 20.67" ≤ 24.61"
Thickness: 1,45 cm | 0.57"
- ⚖ Weight panel: 3,75 kg/m² | 2.52 lbs/ft²
- ⋯ 2 shapes: round corners or wedge

BuzziTripl Wrap Desk Right

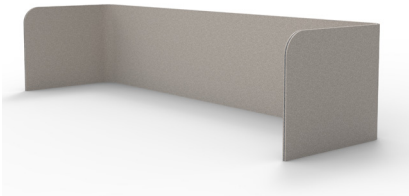


- 🌲 Outside layers: BuzziFelt 6mm | 0.24" (both sides)
Core: Furniture Felt 6mm | 0.24"
- ✂ Length: Front 50 cm ≤ 200 cm | 19.69" ≤ 78.74"
Width: Side 22 cm ≤ 47 cm | 8.66" ≤ 18.50"
(measured from worktop edge)
- ✂ Height: 52,5 cm ≤ 62,5 cm | 20.67" ≤ 24.61"
Thickness: 1,45 cm | 0.57"
- ⚖ Weight panel: 3,75 kg/m² | 2.52 lbs/ft²
- ⋯ 2 shapes: round corners or wedge

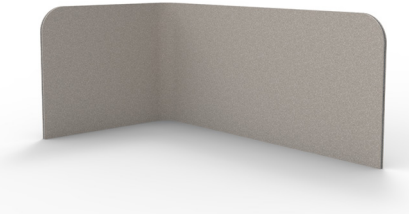
Shapes

Round corners

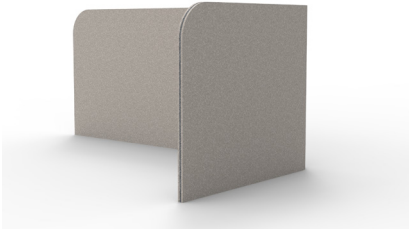
Full



Left

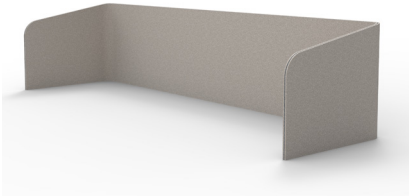


Right

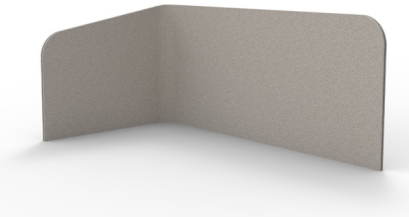


Wedge

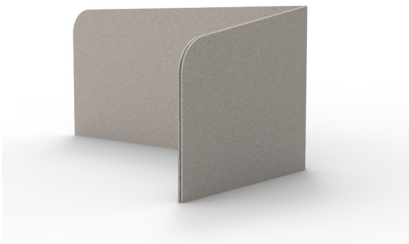
Full



Left



Right



BuzziTripl Wrap Desk Fix (included)

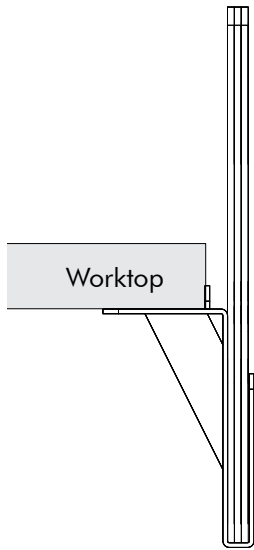
BuzziTripl Wrap Desk Fix is available in powder coated metal black (RAL 9005) or white (RAL 9010)

Side: 1 pcs for the side

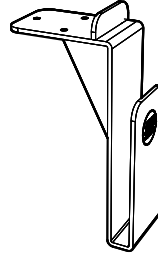
Front: 2 pcs/BuzziTripl Wrap Desk for width: 50-120 cm | 19.69"-47.24"

3 pcs/BuzziTripl Wrap Desk for width: 121-200 cm | 47.64"-78.74"

FIX U

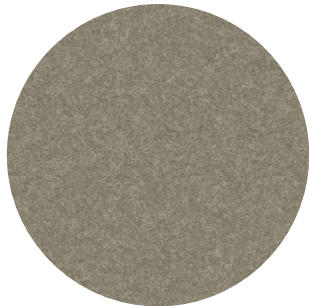


Including Screws



Fabrics

Felt



Composition 100% Recycled P.E.T. Felt, latex backing

Weight 1.000 g/m² | 29.49 oz/yd²

Abrasion resistance >7.000 Martindale

Flammability EU: EN 13501.1 + A1/2009 Class B-s1,d0

USA: ASTM E84 Class A certified

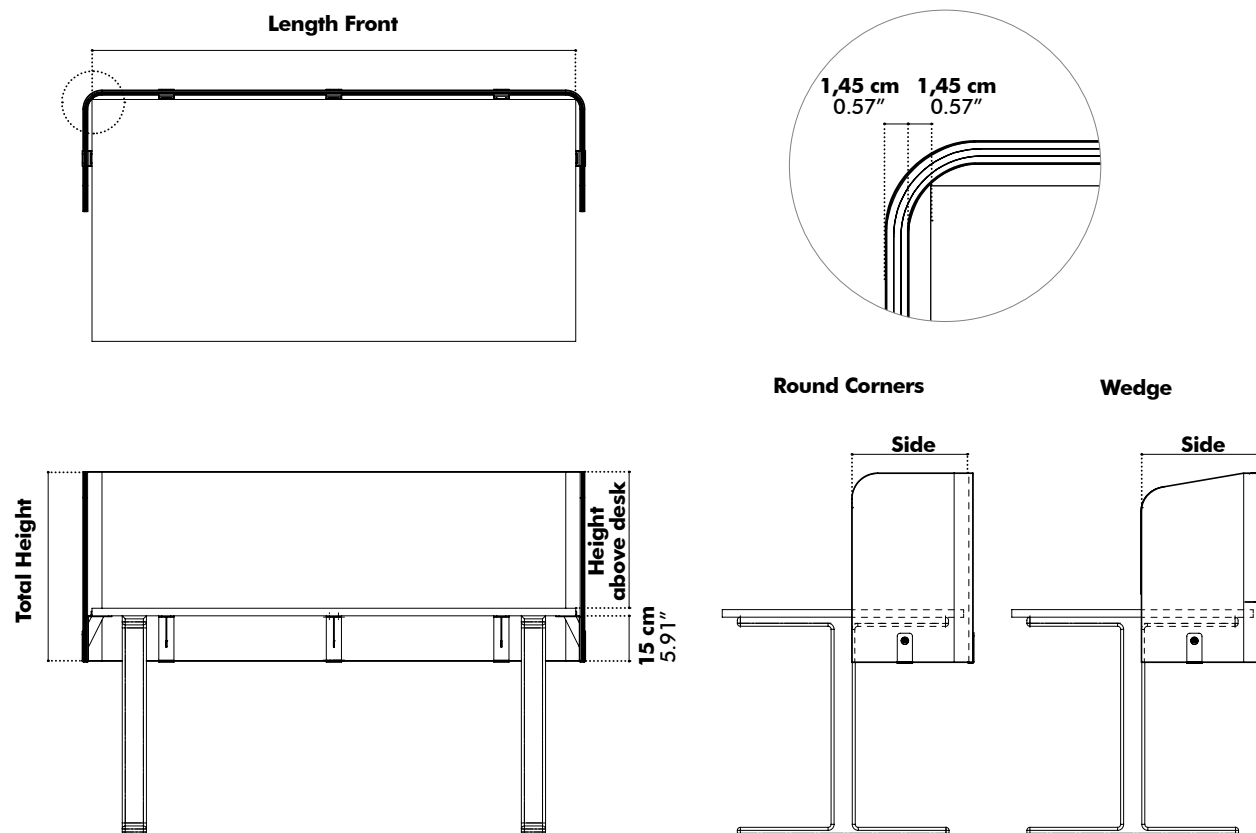
Fastness to light USA 5



*Not available in Ecobrown 58

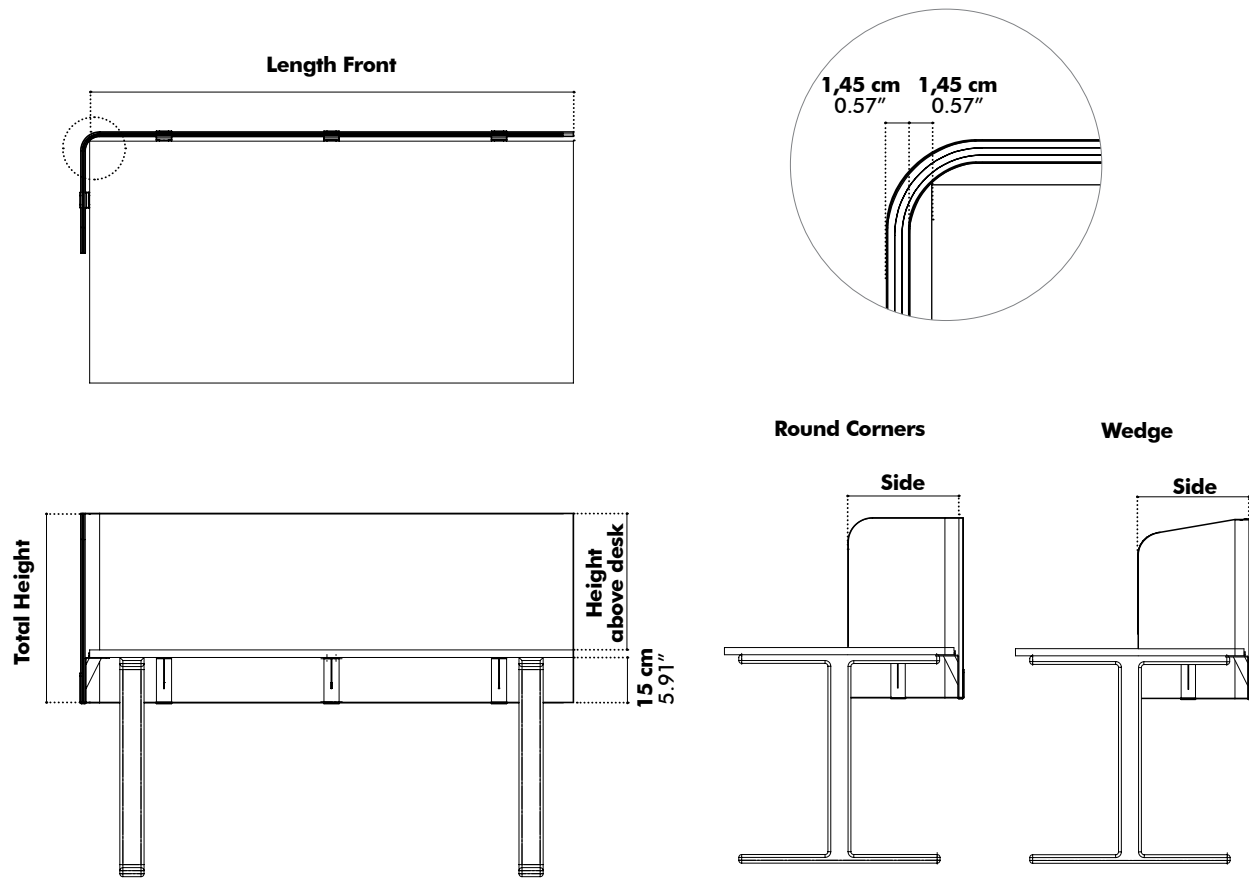
Dimensions

BuzziTripl Wrap Desk Full Round corners | Wedge



	Total Height Height above desk	Side	Length Front
Min.	52,5 cm = (Total Height) – 15 cm – (Worktop Thickness)	22 cm	50 cm
Max.	62,5 cm = (Total Height) – 15 cm – (Worktop Thickness)	47 cm	200 cm
	Total Height Height above desk	Side	Length Front
Min.	20.67" = (Total Height) – 5.91" cm – (Worktop Thickness)	8.66"	19.69"
Max.	24.61" = (Total Height) – 5.91" – (Worktop Thickness)	18.50"	78.74"

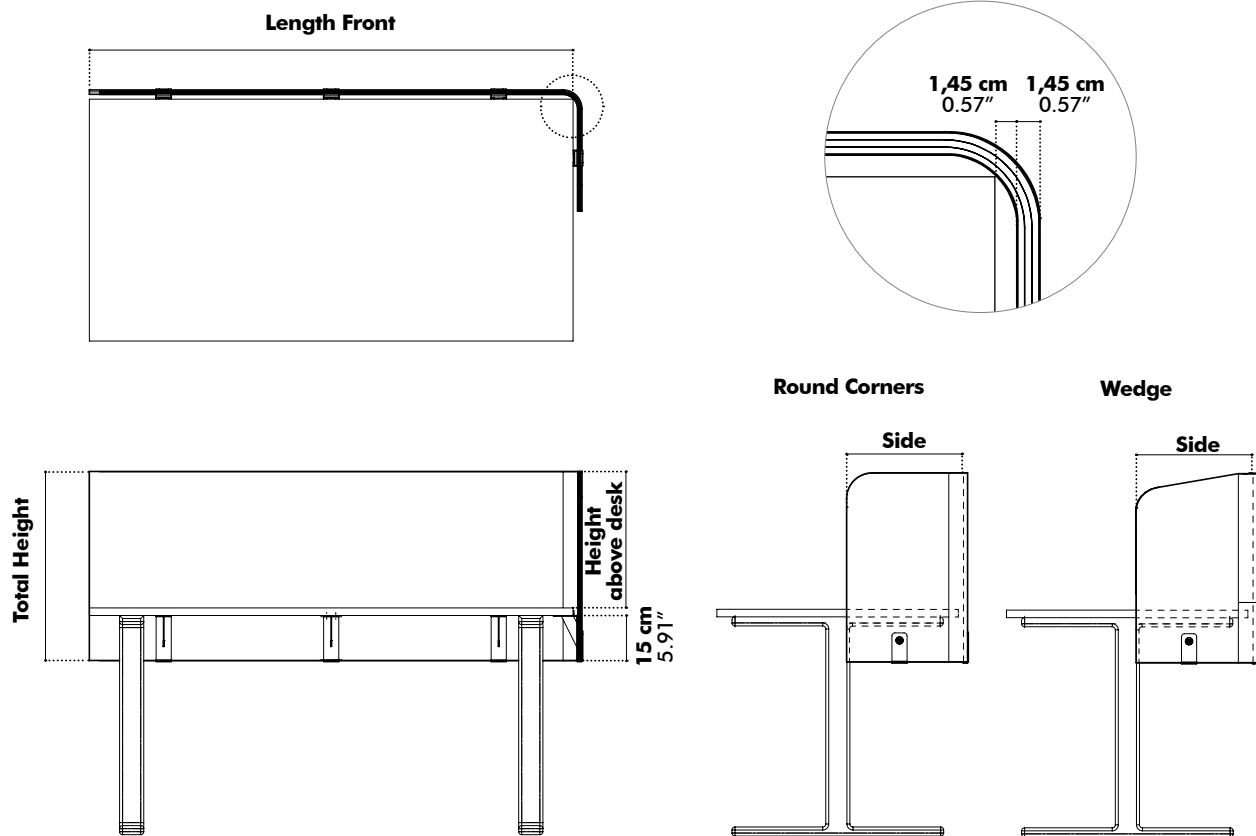
BuzziTripl Wrap Desk Left Round corners | Wedge



	Total Height Height above desk	Side	Length Front
Min.	52,5 cm = (Total Height) – 15 cm – (Worktop Thickness)	22 cm	50 cm
Max.	62,5 cm = (Total Height) – 15 cm – (Worktop Thickness)	47 cm	200 cm

	Total Height Height above desk	Side	Length Front
Min.	20.67" = (Total Height) – 5.91" cm – (Worktop Thickness)	8.66"	19.69"
Max.	24.61" = (Total Height) – 5.91" – (Worktop Thickness)	18.50"	78.74"

BuzziTripl Wrap Desk Right Round corners | Wedge



	Total Height Height above desk	Side	Length Front
Min.	52,5 cm = (Total Height) – 15 cm – (Worktop Thickness)	22 cm	50 cm
Max.	62,5 cm = (Total Height) – 15 cm – (Worktop Thickness)	47 cm	200 cm

	Total Height Height above desk	Side	Length Front
Min.	20.67" = (Total Height) – 5.91" cm – (Worktop Thickness)	8.66"	19.69"
Max.	24.61" = (Total Height) – 5.91" – (Worktop Thickness)	18.50"	78.74"

BuzziTripl Wrap Desk Fix

U

Metal Thickness 0,3 cm | 0.12"

